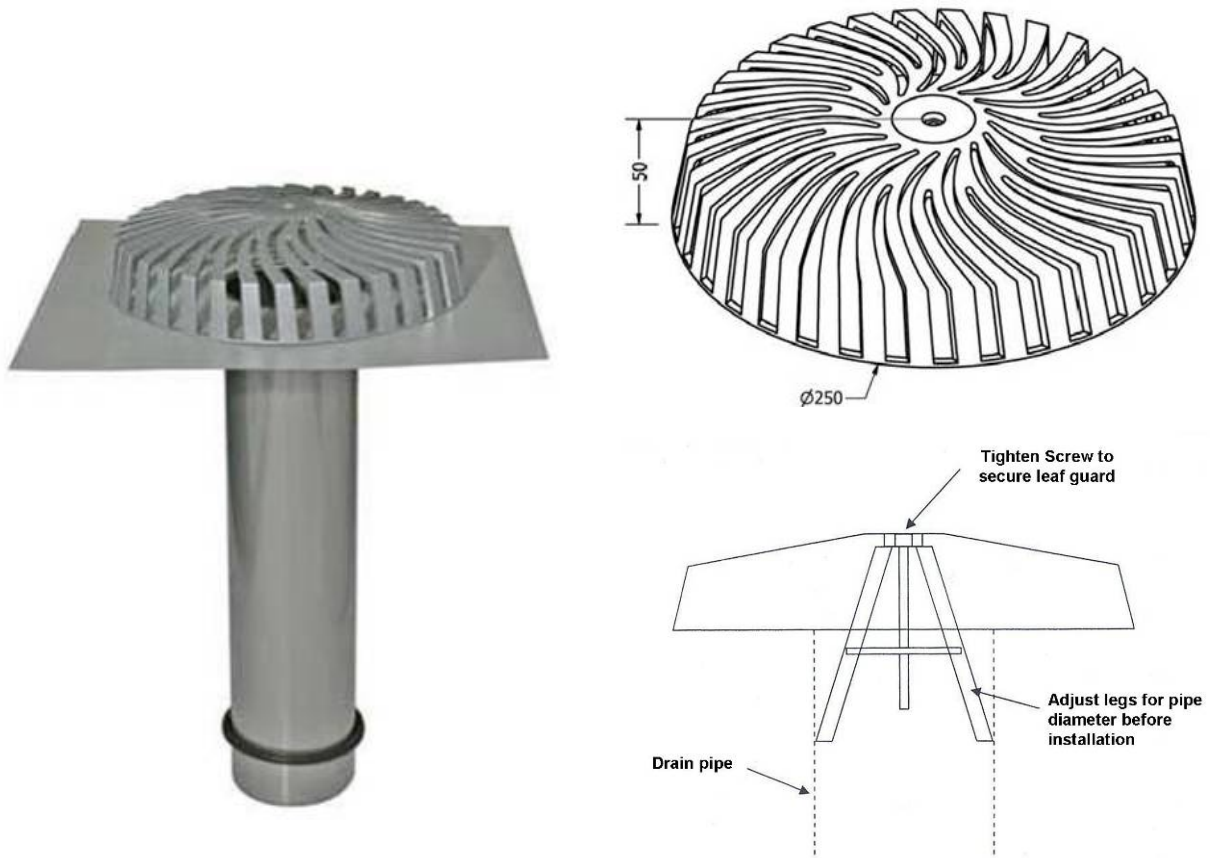


Product Data Sheet

Sarnafil Aluminum Turbine Leaf Guard



Overview	Sarnafil Aluminum Turbine Leaf Guard is a turbine like metal leaf guard for vertical drains used on Sarnafil roofing systems. It's strong enough for people to step on it. The center is strong enough for 150kg force.
Material	Sarnafil Aluminum Turbine Leaf Guard is made from die cast aluminium and powder coated finish. Powder coated in light grey is to match Sarnafil membrane.
Installation	Sarnafil Aluminum Turbine Leaf Guard is secured with a bolt and adjustable stainless steel legs. It's suitable for roof outlets with diameters between 75 and 160 mm.
Packaging	1 piece / carton

Sika India Pvt. Ltd.

620, Diamond Harbour Road, Kolkata, 700 034, India

Tel: +91 33 2447 2448/2449

Fax: +91 33 2468 8688/2665

E-mail: info@in.sika.com

Website: www.sika.in

All data in our product information are based on our current knowledge and experience. They do not release users from careful testing of the application and strict observation of the relevant processing regulations because of the wide range of possible influences during the application and use of our products. Legally valid assurances of specific characteristics or suitability for special purposes of application other than those provided in our documentation for the specific product cannot be inferred from our information. The recipient or processor of our products at their own responsibility must follow any protective rights or existing laws and provisions. Moreover our general terms and conditions of sale and warranty are valid.