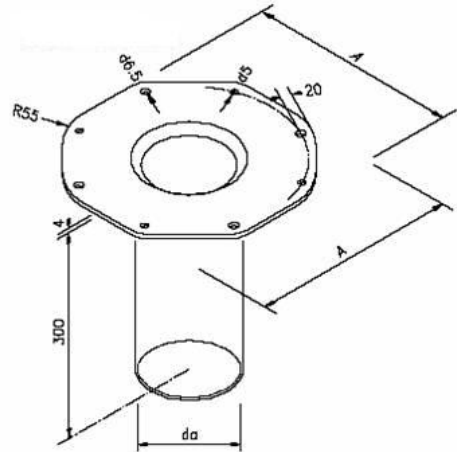


Product Data Sheet

Sarnafil PVC Rainwater Outlet



Overview Sarnafil PVC Rainwater Outlets are made of rigid PVC by injection moulding procedure. They show a high weathering, UV and stress-cracking resistance and can only be used for Sarnafil Roofing System.

Properties Sarnafil PVC Rainwater Outlets has 8-cornered base plate with small roof drain cone; flanges are provided with alternate holes of 5 mm and 6.5 mm.

Material	Rigid PVC
Colour	Light grey
Dimension (mm)	Outside diameter – 110 Spigot length:300 Size of base plate, A: 330 x 330 mm, octagonal
Flow rates with Sarnafil PVC Rainwater leaf guard (DIN EN 1253, water depth 45mm)	Outside diameter – 160 Spigot length:300 Size of base plate, A: 380 x 380 mm, octagonal Φ 110-7.2 l/s, Φ 160-12.5 l/s
Flow rates (DIN EN 12056)	Φ 110-7.8 l/s, Φ 160-9.2 l/s

Application Sarnafil PVC Rainwater Outlets are connected with newly installed pipes using connection prefabs. And Sarnafil roofing membranes can be hot air welded directly on the flange. They are usually combined with Sarnafil leaf guards, PVC or metal, to make efficient drainage.

Packaging 1pc / box

Sika India Pvt. Ltd.
620, Diamond Harbour Road, Kolkata, 700 034, India

Tel: +91 33 2447 2448/2449
Fax: +91 33 2468 8688/2665
E-mail: info@in.sika.com
Website: www.sika.in

All data in our product information are based on our current knowledge and experience. They do not release users from careful testing of the application and strict observation of the relevant processing regulations because of the wide range of possible influences during the application and use of our products. Legally valid assurances of specific characteristics or suitability for special purposes of application other than those provided in our documentation for the specific product cannot be inferred from our information. The recipient or processor of our products at their own responsibility must follow any protective rights or existing laws and provisions. Moreover our general terms and conditions of sale and warranty are valid.