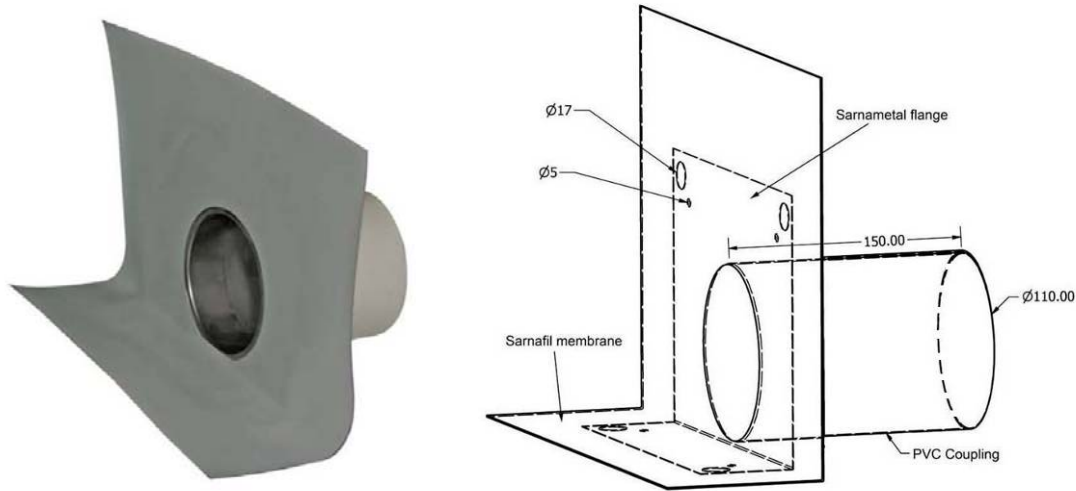


# Product Data Sheet

## Sarnafil Stainless Steel Horizontal Outlet



**Overview** Sarnafil Stainless Steel Horizontal Outlet is made from high quality stainless steel integrated with Sarnametal and Sarnafil PVC membrane. Additionally, a PVC coupling is integrated for ease connection to standard Ø110 mm PVC pipes.

**Material** Pipe made from high quality stainless steel (AISI 316L) with a PVC coupling and Sanametal flange with PVC membrane on it.

### Features

Article No.	Outside diameter	Use for type of pipe	Spigot length	Drain water area*
6.300.149	Ø110 mm	Ø110 mm	150 mm	135-245 m <sup>2</sup>

\*As recommended by European Standard EN1253 (with water surface of 35 mm)

**Installation** Its installation is fast and extremely reliable as the membrane integrated on the outlet can be tightly welded with PVC membrane. This secures a perfect fit between outlet and roofing membrane.

**Packaging** 1 piece / carton

**Sika India Pvt. Ltd.**  
620, Diamond Harbour Road, Kolkata, 700 034, India

Tel: +91 33 2447 2448/2449  
Fax: +91 33 2468 8688/2665  
E-mail: [info@in.sika.com](mailto:info@in.sika.com)  
Website: [www.sika.in](http://www.sika.in)

All data in our product information are based on our current knowledge and experience. They do not release users from careful testing of the application and strict observation of the relevant processing regulations because of the wide range of possible influences during the application and use of our products. Legally valid assurances of specific characteristics or suitability for special purposes of application other than those provided in our documentation for the specific product cannot be inferred from our information. The recipient or processor of our products at their own responsibility must follow any protective rights or existing laws and provisions. Moreover our general terms and conditions of sale and warranty are valid.