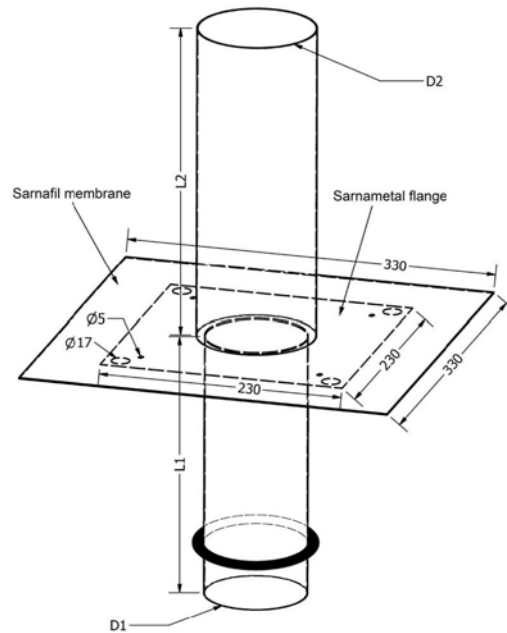


# Product Data Sheet

## Sarnafil Stainless Steel Cable Penetration



### Overview

Sarnafil Stainless Steel Cable Penetration is made from high quality stainless steel pipes integrated with Sarnametal and Sarnafil PVC membrane. It makes a very easy, reliable and professional way to penetrate the roof without introducing any weak joints to the roof membrane.

### Material

Pipe made from high quality stainless steel (AISI 316L) and Sarnametal flange with PVC membrane on it.

### Features

Article No.	Down pipe		Top pipe	
	Outside diameter(D <sub>1</sub> )	Length(L <sub>1</sub> )	Outside diameter(D <sub>2</sub> )	Length(L <sub>2</sub> )
6.300.150	Ø62 mm	250 mm	Ø75 mm	300 mm
6.300.151	Ø62 mm	250 mm	Ø75 mm	600 mm
6.300.153	Ø95 mm	250 mm	Ø110 mm	300 mm
6.300.154	Ø95 mm	250 mm	Ø110 mm	600 mm

### Installation

Fit the special rubber O-ring onto spigot and insert the spigot into existing pipe. Finally weld the membrane on sarnametal flange to PVC roofing membrane with hot air. This secures a perfect fit between the penetration and the roofing membrane.

### Packaging

1 piece / carton

### Sika India Pvt. Ltd.

620, Diamond Harbour Road, Kolkata, 700 034, India

Tel: +91 33 2447 2448/2449

Fax: +91 33 2468 8688/2665

E-mail: [info@in.sika.com](mailto:info@in.sika.com)

Website: [www.sika.in](http://www.sika.in)

All data in our product information are based on our current knowledge and experience. They do not release users from careful testing of the application and strict observation of the relevant processing regulations because of the wide range of possible influences during the application and use of our products. Legally valid assurances of specific characteristics or suitability for special purposes of application other than those provided in our documentation for the specific product cannot be inferred from our information. The recipient or processor of our products at their own responsibility must follow any protective rights or existing laws and provisions. Moreover our general terms and conditions of sale and warranty are valid.