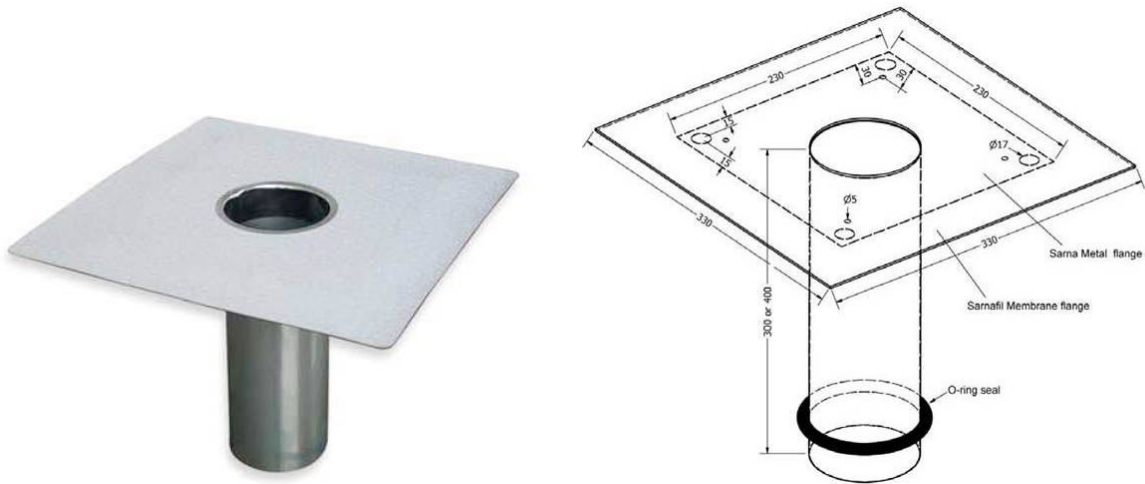


# Product Data Sheet

## Sarnafil Stainless Steel Rainwater Outlet



**Overview** Sarnafil Stainless Steel Rainwater Outlet is a stainless steel outlet combined Sarnametal flange with PVC membrane on it to make it weldable.

**Material** Pipe made from high quality stainless steel (AISI 316L) and Sanametal flange with PVC membrane on it.

### Features

Article No.	Outside diameter	Use for type of pipe	Spigot length	O-ring seal size	Drain water area*
6.300.139	Ø75 mm	Ø90 mm	300 mm	Ø8 mm	90-160 m <sup>2</sup>
6.300.140	Ø75 mm	Ø90 mm	400 mm	Ø8 mm	90-160 m <sup>2</sup>
6.300.141	Ø95 mm	Ø110 mm	300 mm	Ø8 mm	105-200 m <sup>2</sup>
6.300.142	Ø95 mm	Ø110 mm	400 mm	Ø8 mm	105-200 m <sup>2</sup>
6.300.144	Ø110 mm	Ø110 mm	300 mm	Ø8 mm	135-245 m <sup>2</sup>
6.300.145	Ø110 mm	Ø110 mm	400 mm	Ø8 mm	135-245 m <sup>2</sup>
6.300.146	Ø145 mm	Ø160 mm	300 mm	Ø8 mm	250-300m <sup>2</sup>
6.300.147	Ø145 mm	Ø160 mm	400 mm	Ø8 mm	250-300m <sup>2</sup>

\*As recommended by European Standard EN1253 (with water surface of 35 mm)

**Installation** Fit the special rubber O-ring onto spigot and insert the spigot into existing drainage pipe. Finally weld the membrane on Sarnametal flange to PVC roofing membrane with hot air.

**Packaging** 1 piece / carton

### Sika India Pvt. Ltd.

620, Diamond Harbour Road, Kolkata, 700 034, India

Tel: +91 33 2447 2448/2449

Fax: +91 33 2468 8688/2665

E-mail: [info@in.sika.com](mailto:info@in.sika.com)

Website: [www.sika.in](http://www.sika.in)

All data in our product information are based on our current knowledge and experience. They do not release users from careful testing of the application and strict observation of the relevant processing regulations because of the wide range of possible influences during the application and use of our products. Legally valid assurances of specific characteristics or suitability for special purposes of application other than those provided in our documentation for the specific product cannot be inferred from our information. The recipient or processor of our products at their own responsibility must follow any protective rights or existing laws and provisions. Moreover our general terms and conditions of sale and warranty are valid.